

# 2/3-Way Vacuum Valve

## 2/3-Way Vacuum Solenoid Valve MVV D

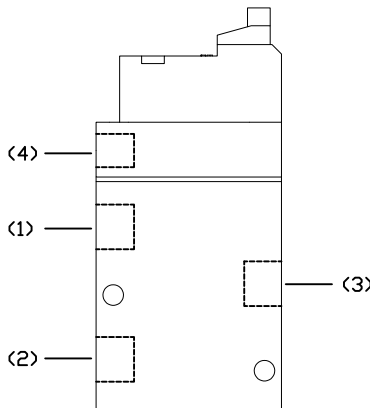
2/3-Way Vacuum Solenoid Valve MVV D



### Introduction and application

- ◆ The valve is a 2/3-way pneumatically controlled cone valve with a normally open or closed type.
- ◆ This valve is commonly used in vacuum cut-off of feeders, suction-type stackers, robots, openers, etc. where it is necessary to react quickly between the suction in the line and the intake air.

System design 2/3-Way Vacuum Solenoid Valve MVV D



### Design

- ◆ The body is made of aluminum alloy
- ◆ (4) is the compressed air inlet
- ◆ The integrated solenoid valve is mounted on the machine body and is convenient to control.
- ◆ When the valve is used normally open, (1) is the vacuum pump interface, (2) is the pressure relief port, and (3) is the action port.
- ◆ When the valve is used as a normally closed, (1) is the pressure relief port, (2) is the vacuum pump interface, and (3) is the action port.

### Ordering Data 2/3-Way Vacuum Solenoid Valve MVV D

| Type               | Ordering Data  |
|--------------------|----------------|
| MVV G1/4 D NC/NO   | 90.06.01.00013 |
| MVV G3/8 D NC/NO   | 90.06.01.00014 |
| MVV G1/2 D NC/NO   | 90.06.01.00015 |
| MVV G3/4 D NC/NO   | 90.06.01.00016 |
| MVV G1 D NC/NO     | 90.06.01.00017 |
| MVV G1 1/2 D NC/NO | 90.06.01.00018 |

Combined Suction Cups

Vacuum Suction Cups

Composite Suction Cups

Special Grippers

Vacuum Gripping Systems

Mounting Elements

Vacuum Generators

Valve Technology

Switch And Monitoring

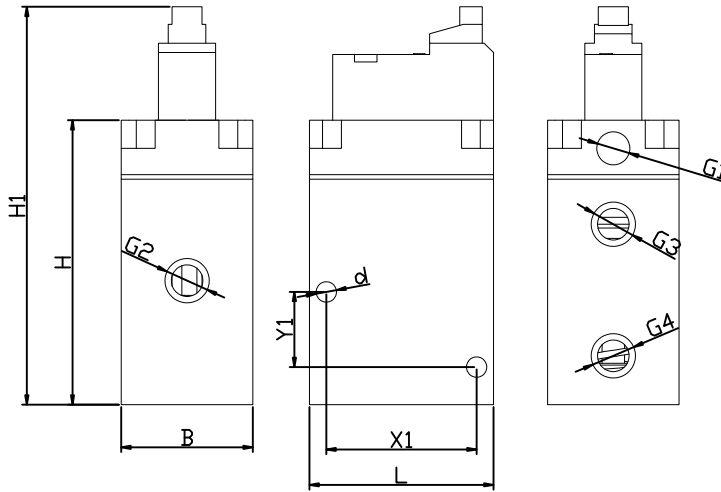
Vacuum Filters

# 2/3-Way Vacuum Valve

## 2/3-Way Vacuum Solenoid Valve MVV D

### Design Data 2/3-Way Vacuum Solenoid Valve MVV D

MVV D



| Type               | Dimensions[mm] |     |         |          |          |          |     |       |     |     |    |
|--------------------|----------------|-----|---------|----------|----------|----------|-----|-------|-----|-----|----|
|                    | B              | d   | G1      | G2       | G3       | G4       | H   | H1    | L   | X1  | Y1 |
| MVV G1/4 D NC/NO   | 35             | 5.5 | G1/8"-F | G1/4"-F  | G1/4"-F  | G1/4"-F  | 75  | 105.2 | 49  | 40  | 20 |
| MVV G3/8 D NC/NO   | 35             | 5.5 | G1/8"-F | G3/8"-F  | G3/8"-F  | G3/8"-F  | 75  | 105.2 | 49  | 40  | 20 |
| MVV G1/2 D NC/NO   | 39             | 6.5 | G1/8"-F | G1/2"-F  | G1/2"-F  | G1/2"-F  | 91  | 121.5 | 62  | 45  | 20 |
| MVV G3/4 D NC/NO   | 49             | 6.5 | G1/8"-F | G3/4"-F  | G3/4"-F  | G3/4"-F  | 115 | 145.2 | 79  | 60  | 30 |
| MVV G1 D NC/NO     | 49             | 6.5 | G1/8"-F | G1"-F    | G1"-F    | G1"-F    | 115 | 145.2 | 79  | 60  | 30 |
| MVV G1 1/2 D NC/NO | 90             | 8.5 | G1/8"-F | G1"1/2-F | G1"1/2-F | G1"1/2-F | 175 | 205.2 | 130 | 100 | 49 |

### Technical Data 2/3-Way Vacuum Solenoid Valve MVV D

| Type               | Maximum flow<br>[cum/h] | Minimum vacuum<br>[mbar abs] | Maximum vacuum<br>[mbar abs] | Excitation reaction time<br>[msec] | Degaussing reaction time<br>[msec] | Bore diameter<br>[mm] | Through hole area<br>[mm <sup>2</sup> ] | Control pressure<br>[bar] | Weight<br>[Kg] |
|--------------------|-------------------------|------------------------------|------------------------------|------------------------------------|------------------------------------|-----------------------|---|---------------------------|----------------|
| MVV G1/4 D NC/NO   | 6                       | 1000                         | 0.5                          | 16                                 | 27                                 | 8.5                   | 56.8                                    | 4...7                     | 0.56           |
| MVV G3/8 D NC/NO   | 10                      | 1000                         | 0.5                          | 16                                 | 27                                 | 11.5                  | 103.8                                   | 4...7                     | 0.54           |
| MVV G1/2 D NC/NO   | 20                      | 1000                         | 0.5                          | 16                                 | 40                                 | 15                    | 176                                     | 6...8                     | 0.73           |
| MVV G3/4 D NC/NO   | 40                      | 1000                         | 0.5                          | 16                                 | 40                                 | 20                    | 314                                     | 6...8                     | 1.25           |
| MVV G1 D NC/NO     | 90                      | 1000                         | 0.5                          | 18                                 | 42                                 | 25                    | 490                                     | 6...8                     | 1.16           |
| MVV G1 1/2 D NC/NO | 180                     | 1000                         | 0.5                          | 60                                 | 38                                 | 40                    | 1256                                    | 6...8                     | 4.79           |